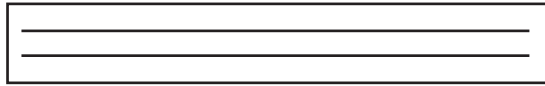


Retractable Banner Stand (Graphic interchangeable)



1 Banner stand base



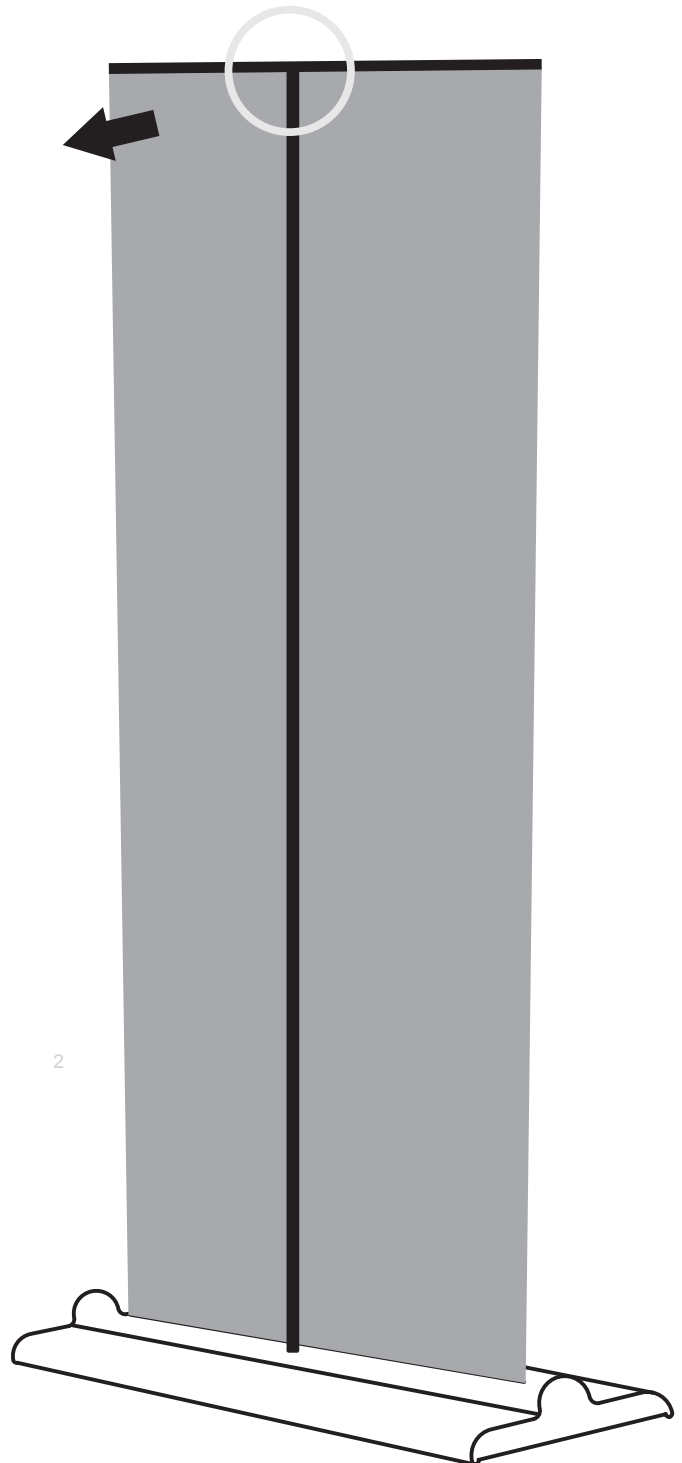
2 Pole



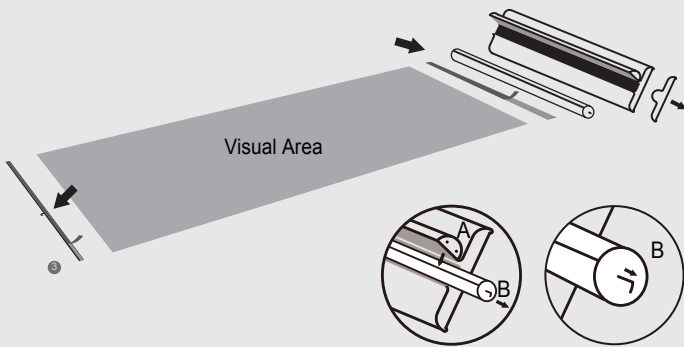
3 Top trim



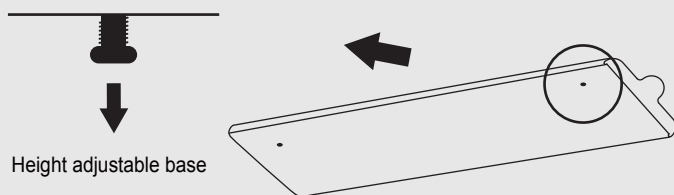
Remove the pole from the banner stand base. Connect pole section into a long pole. Insert pole into the hole on the base.



Remove the protective cover of adhesive tape on the leader paper. Stick the graphic with picture side facing upsides and press it firmly. Ensure the graphic is securely attached. Stick extra adhesive tape over the joints on the both sides to enforce.



(A) Please loose screws at both edges of retractable banner stand base.
 (B) DO NOT remove the pin until the replacement banner is fully installed and secured.



Download an invoice on our website

Please login to our website to download your latest invoice, or contact us for help service@banneraholic.com

Canada
 Unite States
 New Zealand
 Australia

www.ca.flagaholic.com/account.html
www.flagaholic.com/account.html
www.banneraholic.co.nz/account.html
www.banneraholic.com.au/account.html